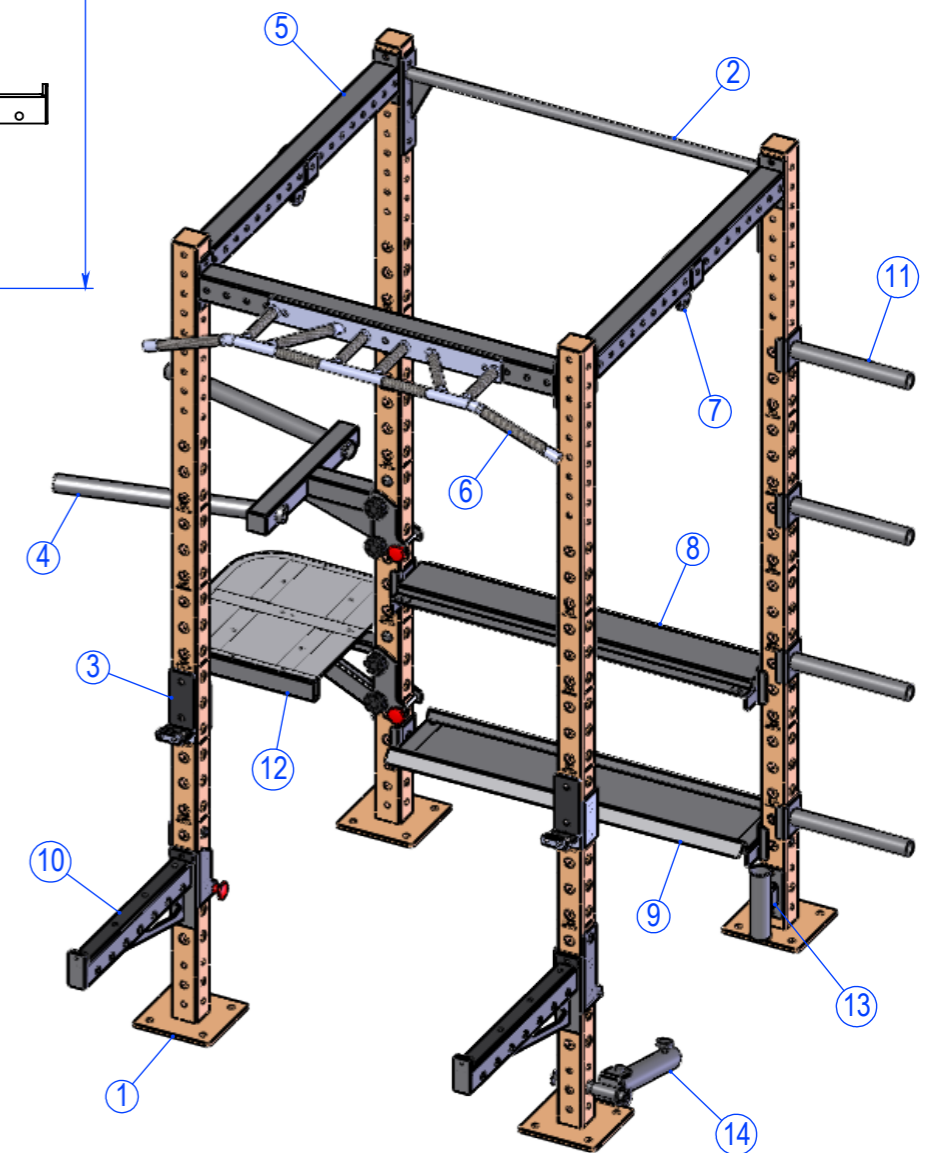


14	1	ROTATIONAL CORE	CF1074-QA
13	1	BAR HOLDER	CF1001-H2
12	1	PLYO BOX BOARD	CF1001-L5
11	4	PLATE STORAGE SLEEVE	CF1067-12
10	1	SAFETY HOLDER (1080)	CF1001-D2
9	1	KETTLEBELL STORAGE (1080)	CF1001-R3
8	1	DUMBBELL STORAGE (1080)	CF1001-R2
7	2	HOOK	CF1001-O5
6	1	CHIN UP BAR (ø28x1250)	CF1002-G3
5	3	CROSS BAR (1080)	CF1002-E2
4	1	DIP HORN (900x600)	CF1001-M
3	1	J HOOKS (1080)	CF1001-D1
2	1	CHIN-UP BAR (1080)	CF1002-F2
1	4	UPRIGHT TUBE (2400)	CF1002-A3
N.	Qtà	Descrizione	Codice



Last Edit	First release		
Material	///		TOLERANCES WHERE NOT SPECIFIED ACCORDING: UNI EN 22768/1-2
Description		WE RESERVE THE PROPERTY OF THIS DOCUMENT. ANY TOTAL OR PARTIAL REPRODUCTION WILL BE PURSUED TO THE LAW.	
CROSSRIG STAND ALONE STAR TRAC GREECE			
	Des.	App.	Scale
	Date		1:20
		Code	1,08 x 1,08