

SHUA

LAT PULLDOWN/SEATED ROW



άσκηση • υγεία • ευεξία



SH-G6892



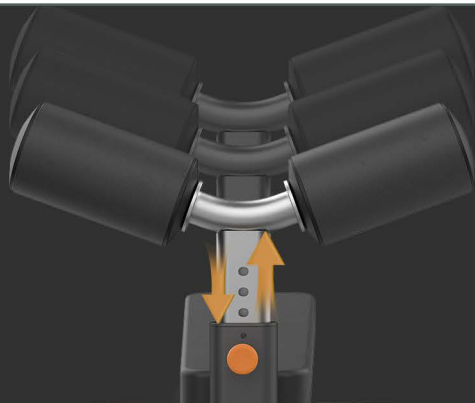
Exceptional User Experience

With a maximum load capacity of up to 150Kg, a maximum training load of 110kg, and a minimum weight adjustment of 5kg, it caters to a wide range of users with convenient adjustments, offering an industry-leading user experience.

Optimized Cable Crossover Position

The Cable Crossover has been relocated from the front to the right side, enhancing the convenience of weight adjustment and the stability of the equipment.



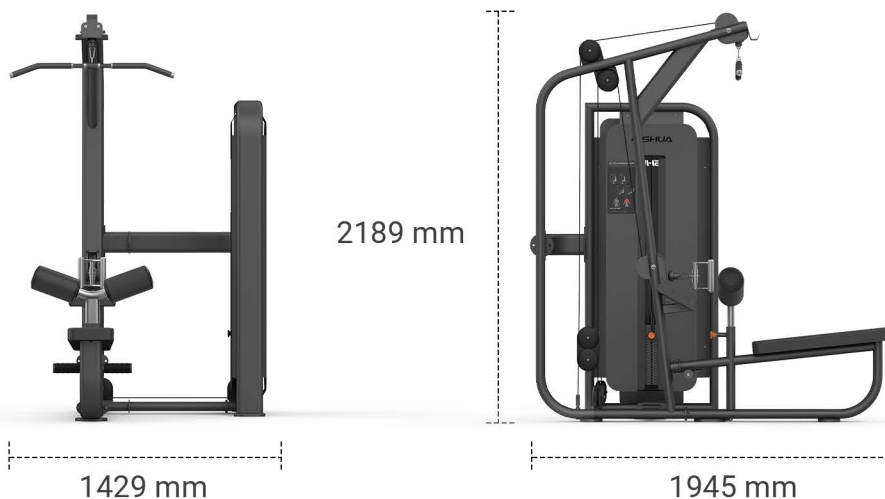


Vertical Adjustment of Leg Press Foam

The seat now features a built-in gas spring, providing smoother and more convenient height adjustments.

Upgraded Seat Pad Structure

The new seat pad structure eliminates the adjustment function, extends the seat pad for increased stability.



PRODUCT SPECIFICATIONS

Dimension	1945 × 1429 × 2189 mm / 77 × 56 × 86 in
Max User Weight	150 kg / 331 lbs
Max Training Weight	110 kg / 242 lbs
Muscles	Latissimus Dorsi, Biceps, Quadratus, Lumborum, Trapezius
N.W.	169 kg / 373 lbs
G.W.	219 kg / 483 lbs
Loading Capacity	20GP: 14 units / 40HQ: 40 units

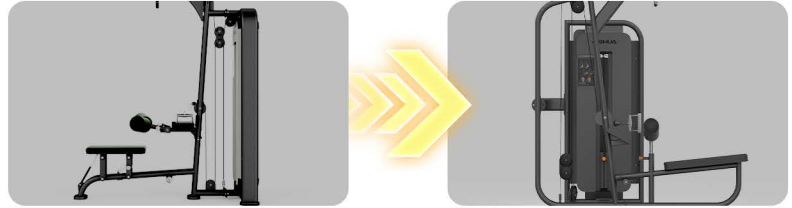


SH-G6891_LAT PULLDOWN/SEATED ROW

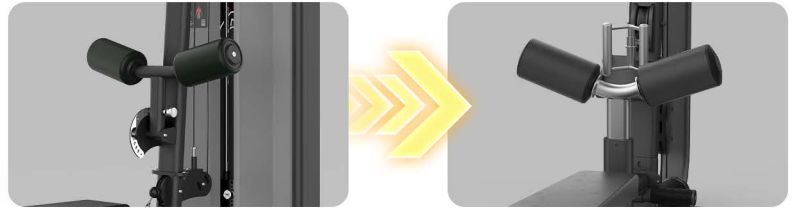


SH-G6892_LAT PULLDOWN/SEATED ROW

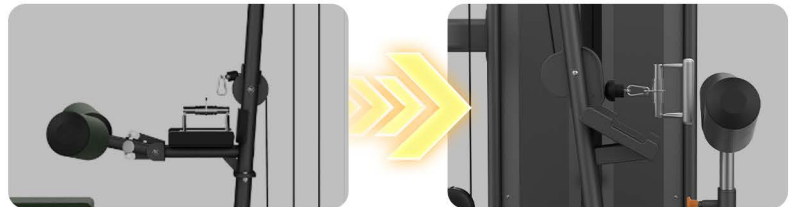
① The cable crossover position has been adjusted from the front to the right side, improving user convenience when adjusting weight stacks and enhancing the machine's overall stability.



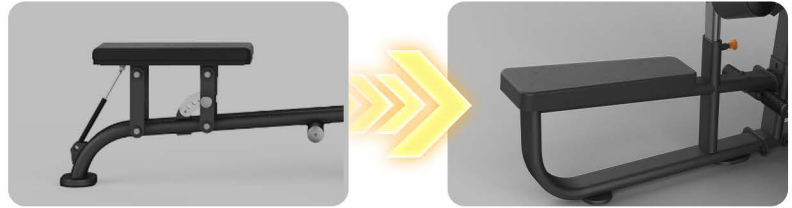
② The leg press foam structure has been redesigned for vertical adjustment. An internal gas spring is now integrated into the leg support tube, ensuring smoother adjustments and a better user experience.



③ A brand-new handle tray structure accommodates various types of handles. The surface is coated with rubber for a more premium look and feel.



④ The seat structure has been upgraded: the seat adjustment feature has been removed, and the seat has been extended to improve stability, more premium look and feel.



⑤ The design of the handle hooks has been modified, with updated appearance and materials to enhance both the product's overall quality and the stability of handle storage.



⑥ The aluminum alloy adjustment pin is replaced with ABS material.

