


YOUR LOGO HERE

# COMING SOON!

## **NAUTILUS** **HUMANSPORT™**

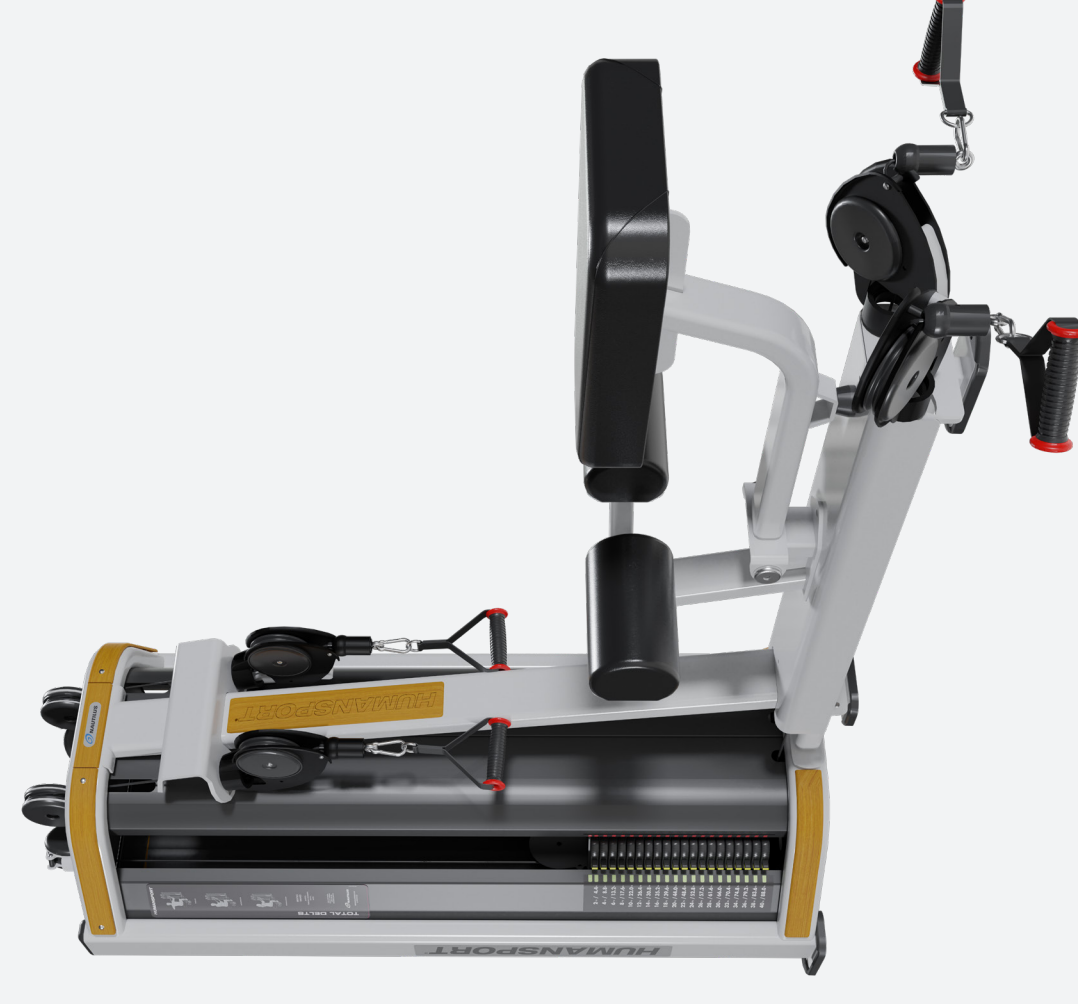
- Perform movements that mimic activities in everyday life
-  Wheelchair accessible
- Placards with easy-to-use, pre-designed exercises
- User-defined path of motion
- Lock-n-Load weight stacks for easy weight selection



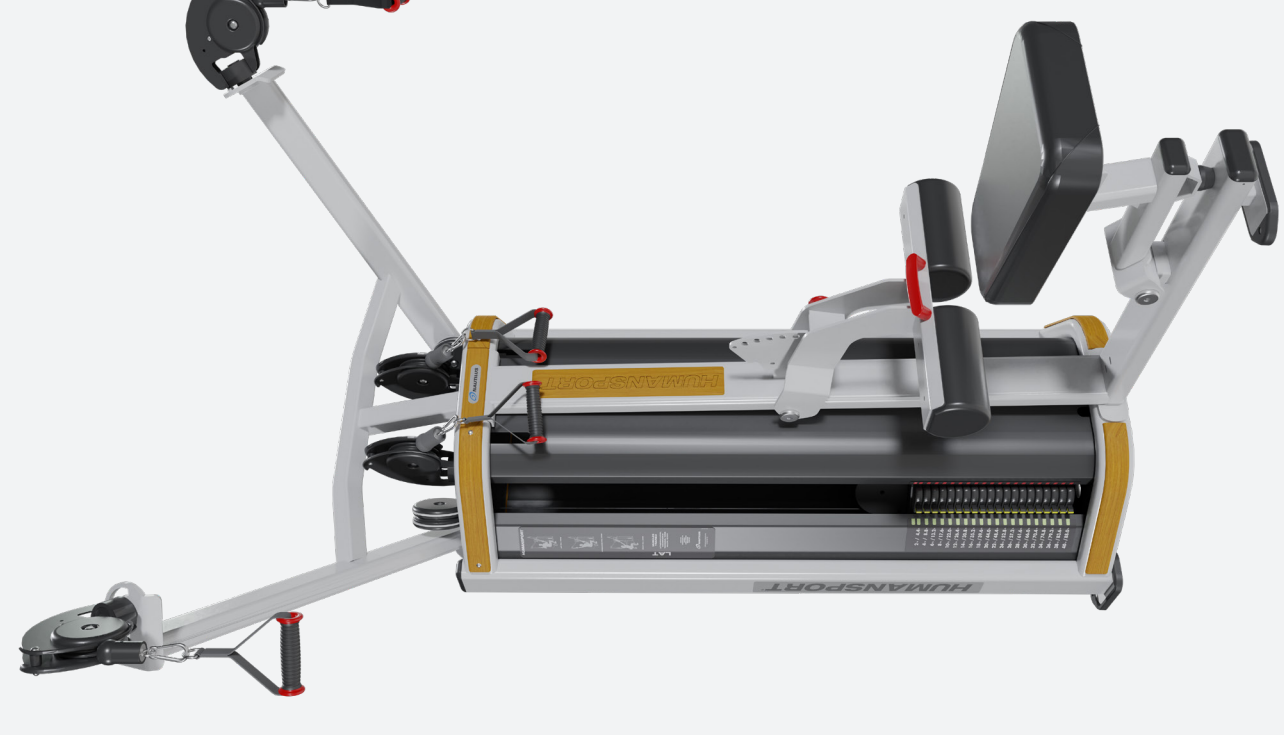
 **FREEDOM TRAINER**



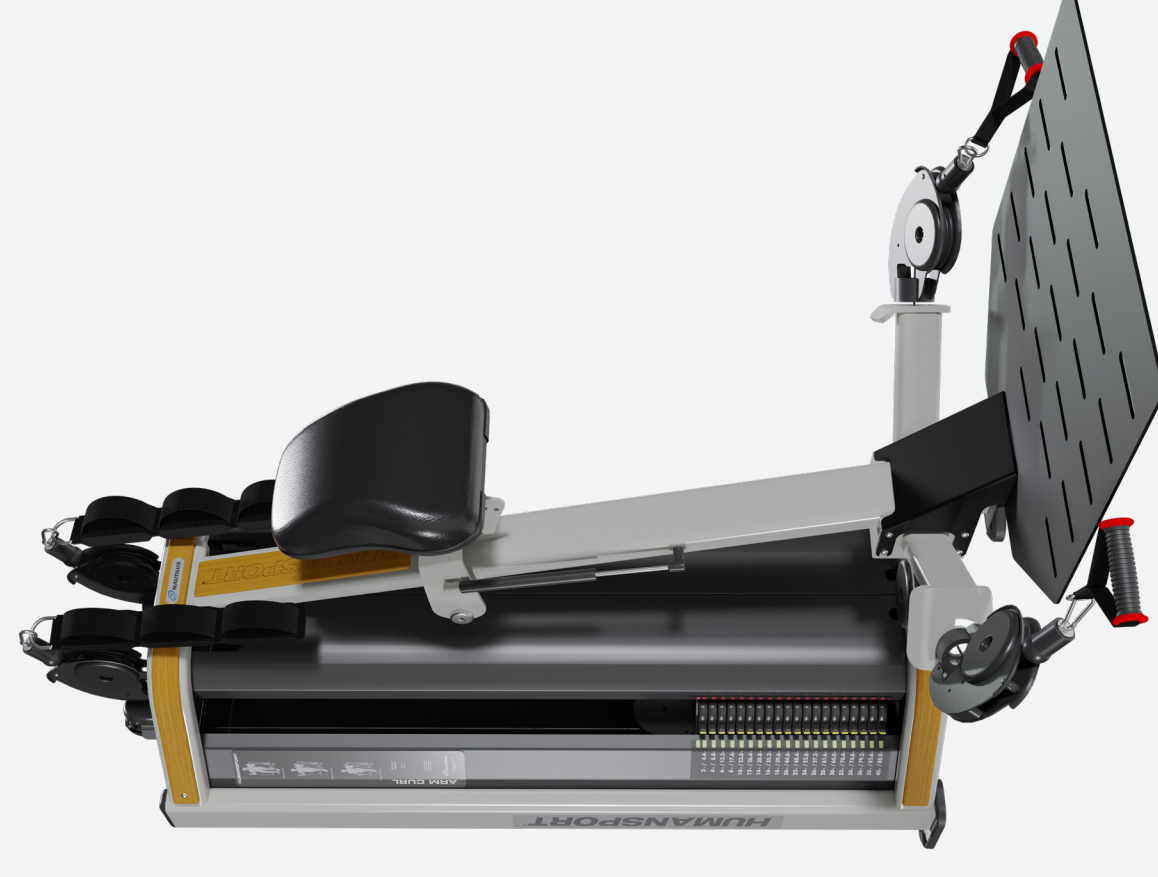
 **SHOULDER CHEST**



 **TOTAL DELTS**



 **LAT PULLEY**



 **ARM CRUNCH**



■ **TOTAL LEGS**



■ **PULL LIFT**

# TRUSTED STRENGTH